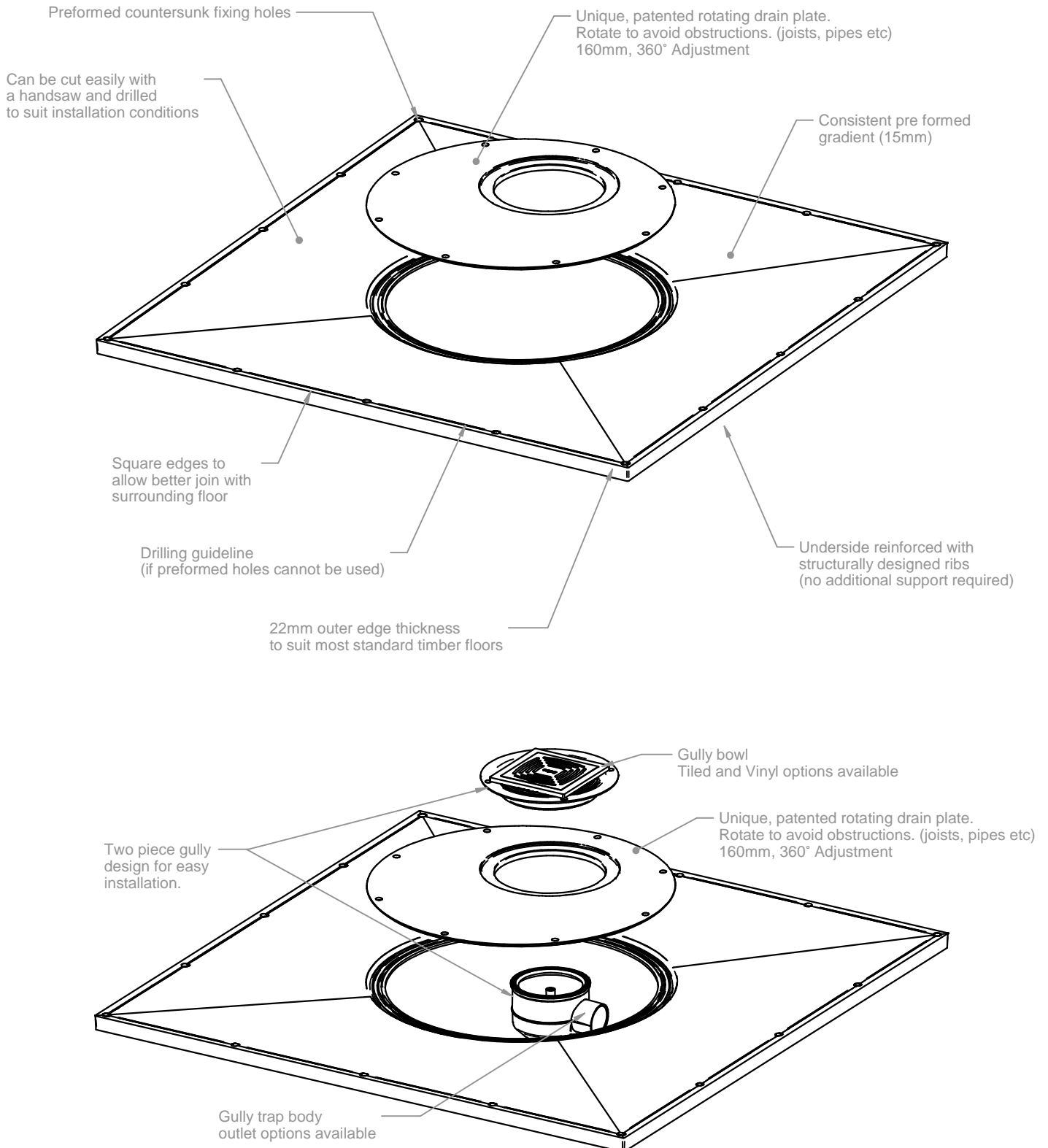


Aqua-Dec Easy Fit - Technical Data

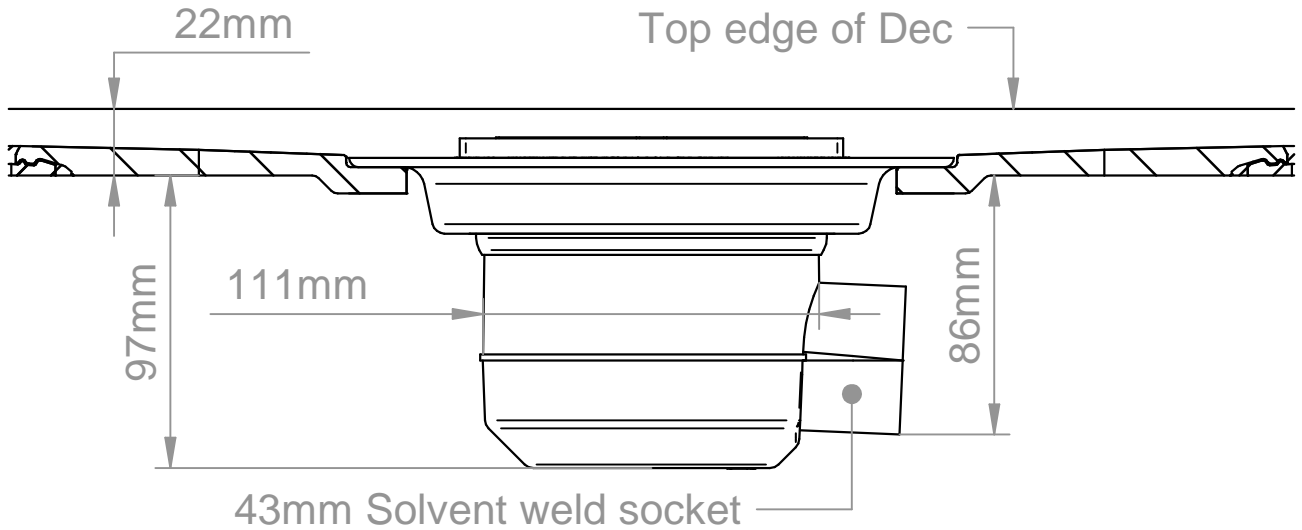
Thickness	All 22mm in height
Handing	Universal (not handed)
Waste outlet position	Adjustable, designed to be rotated to avoid joists, pipe work or other obstruction.
Trap Size	200mm aperture in floor former
Waste options	Gravity 50mm water seal (horizontal or vertical options) or pumped waste by selecting the correct trap or pump kit (pump kits available separately)
Sizes Available	800mm x 800mm, 900mm x 900mm, 1000mm x 1000mm, 1200mm x 1200mm, 1200mm x 750mm, 1200mm x 900mm, 1300mm x 800mm, 1400mm x 900mm, 1500mm x 800mm, 1500mm x 1200mm, 1700mm x 750mm, 1850mm x 900mm
Cut to Length (see diagrams page 4)	Can be cut to Length to suit wall to wall measurement or to accommodate soil pipes etc. When cut to length the cut edges must be fitted against a wall and supported on additional noggins or trimmers.
Construction	Rigid GRP (glass fibre and polyester resin) composite with reinforcing ribs in underside to distribute loads evenly.
Features	Unique rotating drain plate allows floor drain to be positioned to avoid joists or other obstructions. 22mm thick for easy installation into conventional timber floors. Consistent gradient (15mm), Preformed countersunk fixing holes, easily cut with a handsaw,
Installation	Can be installed directly onto floor joists (at 400mm centres) with no additional support or bedded into screeded floors.
Supplied with	UTT01/H floor drain, fixing screws and installation guide (drain options available)
Waste Trap Options for tiled floor and slip resistant vinyl floor coverings	<p>Tiled Floor Drains</p> <p>UTT01/H Horizontal outlet (43mm solvent socket outlet) 50mm water seal (standard)</p> <p>UTT01/V Vertical outlet (43mm solvent socket outlet) 50mm water seal</p> <p>DSS2 pumped waste (22mm outlet)</p> <p>DSS7 Slimline waste (43mm outlet solvent/compression outlet) waterless trap</p> <p>Vinyl Floor Drains</p> <p>UTVC01/H Horizontal outlet (43mm solvent socket outlet) 50mm water seal</p> <p>UTVC01/V Vertical outlet (43mm solvent socket outlet) 50mm water seal</p> <p>DSS3/H Horizontal 43-50mm outlet (75mm water seal)</p>
Flow rates l/min (approx, measured using UTT01/H floor drain	Average Flow rate for all Easy-Fit Decs fitted with tiled drain - 36.3 l/min

Aqua-Dec Easy Fit - Features & Sizes

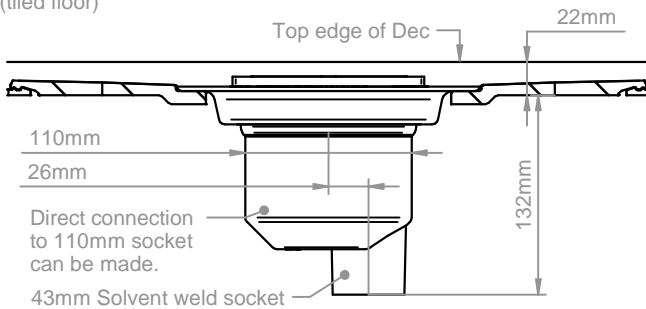


Level-Dec Easy Fit - Floor Drain Details

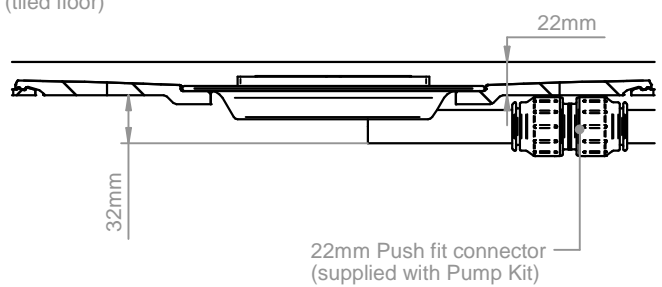
UTT01/H Tiled Floor Drain
50mm water seal
(supplied as standard)



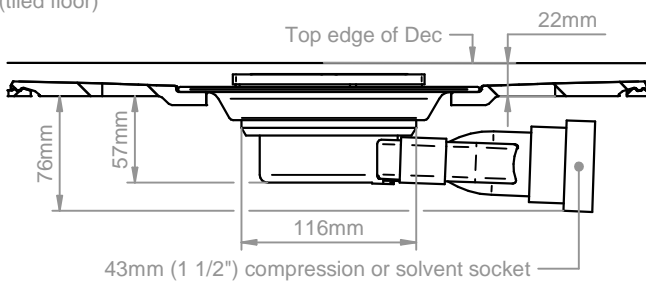
UTT01/V 50mm water seal
(tiled floor)



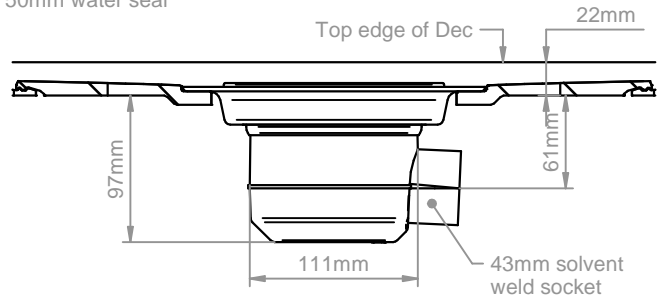
DSS2 Pumped waste floor drain
(tiled floor)



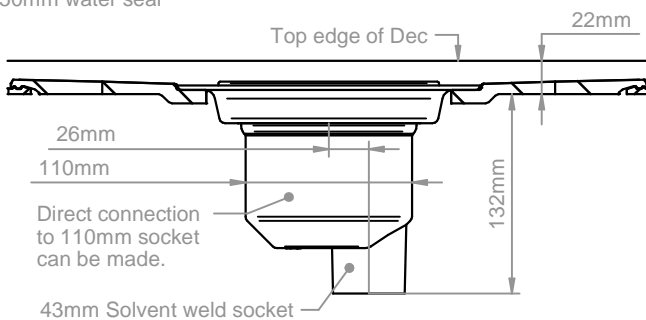
DSS7 Un-trapped waterless floor drain
(tiled floor)



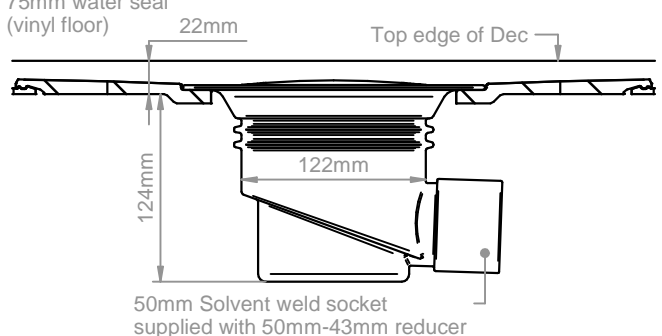
UTVC01/H Vinyl Floor Drain
50mm water seal



UTVC01/V Vinyl Floor Drain
50mm water seal



DSS3/H Floor Drain
75mm water seal
(vinyl floor)



Aqua-Dec Easy Fit - Cutting and Drilling guidelines

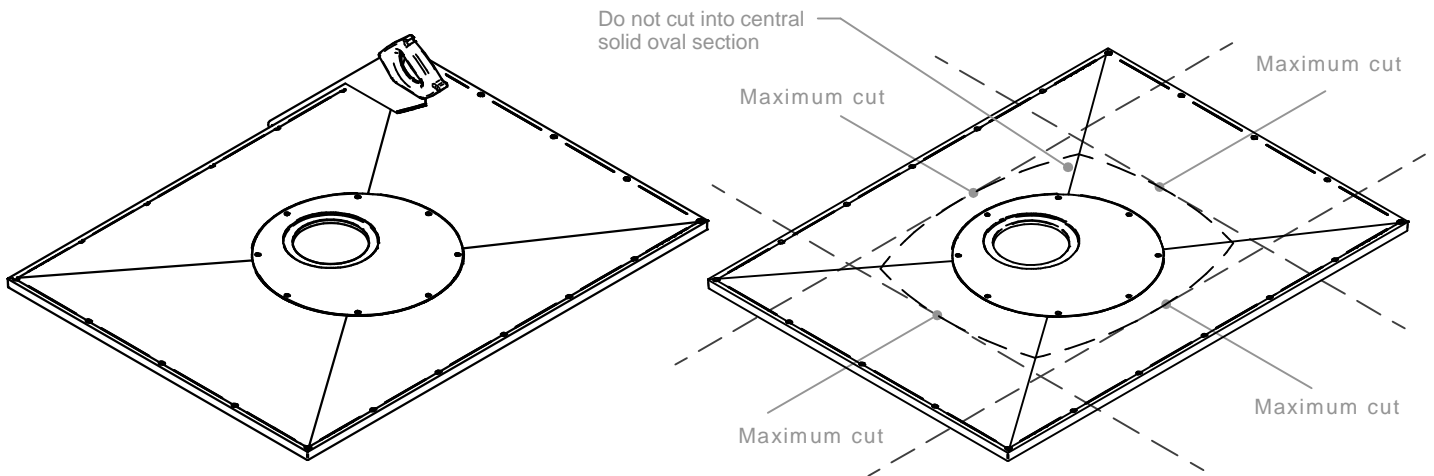


Fig.1
Cut using an old or disposable handsaw.

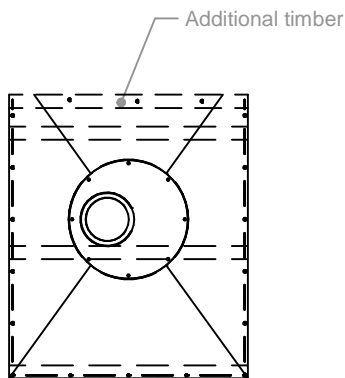


Fig.2
Cut to length.

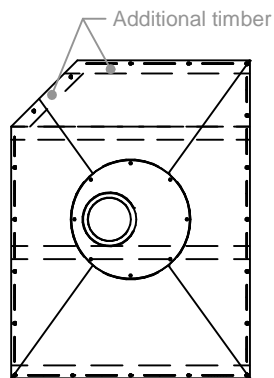


Fig.3
Cut to accommodate diagonal wall.

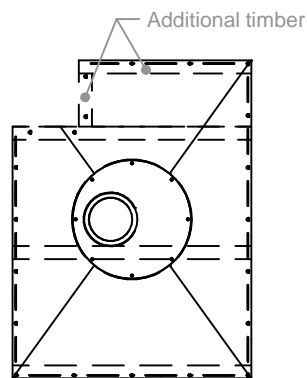


Fig.4
Cut to accommodate drain point.

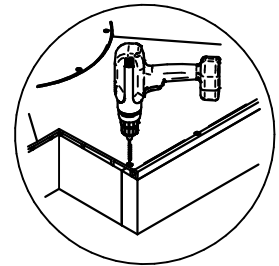


Fig.5
Ensure cut edges are fixed.

Ensure all the cut edges are supported, then drill, countersink and screw the Dec to the joists below in around 200mm intervals (avoiding pipes, electric wires, etc.).
Important: Do not cut the edges that adjoin surrounding floor. Cutting the Dec may reduce flow rate performance.

Additional fixing points

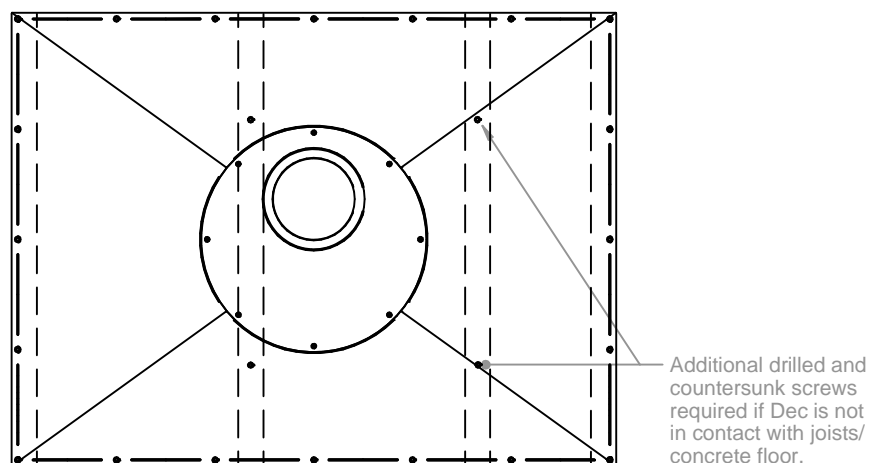
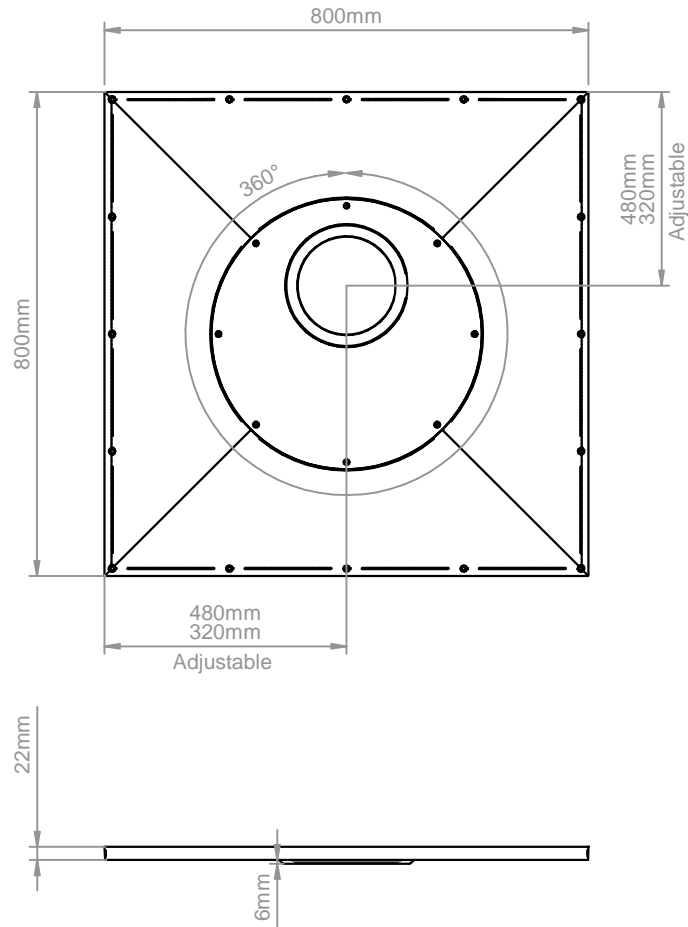
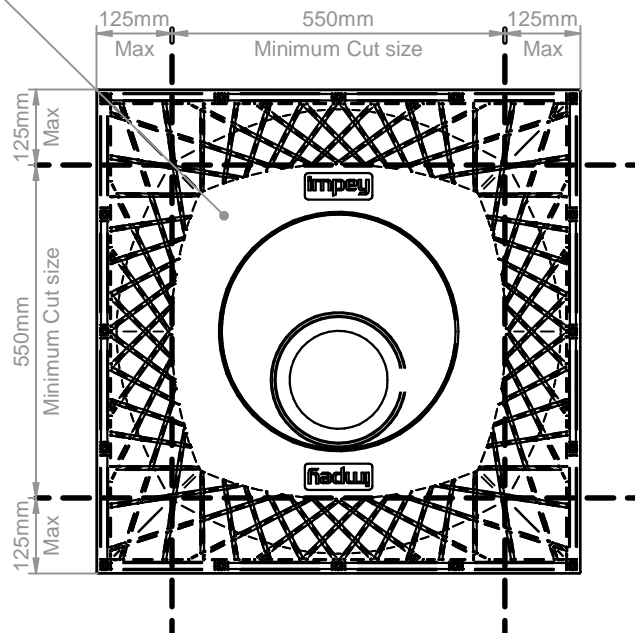


Fig.6
If Dec is not in contact with joist/concrete floor you must drill out and countersink the Dec to ensure it does. Failure to do this will allow unacceptable movement and may cause floor tiles to crack or become loose.

Aqua-Dec Easy Fit - ADE 8080

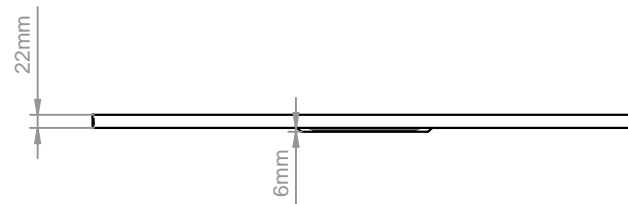
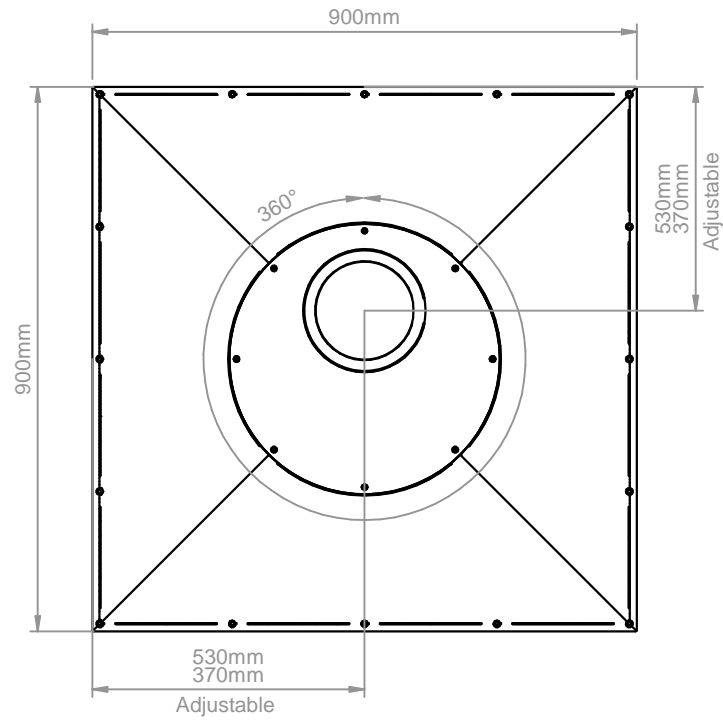


Do not cut into central solid oval section

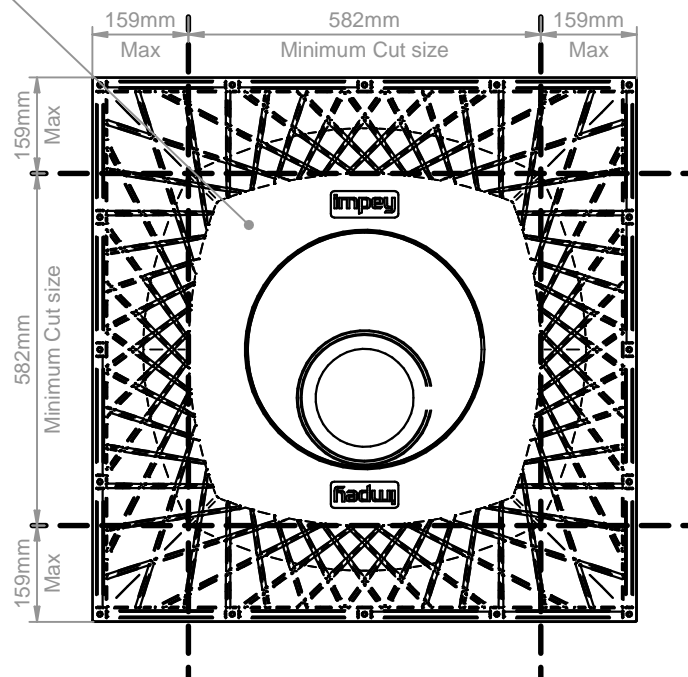


12.5 kg

Aqua-Dec Easy Fit - ADE 9090

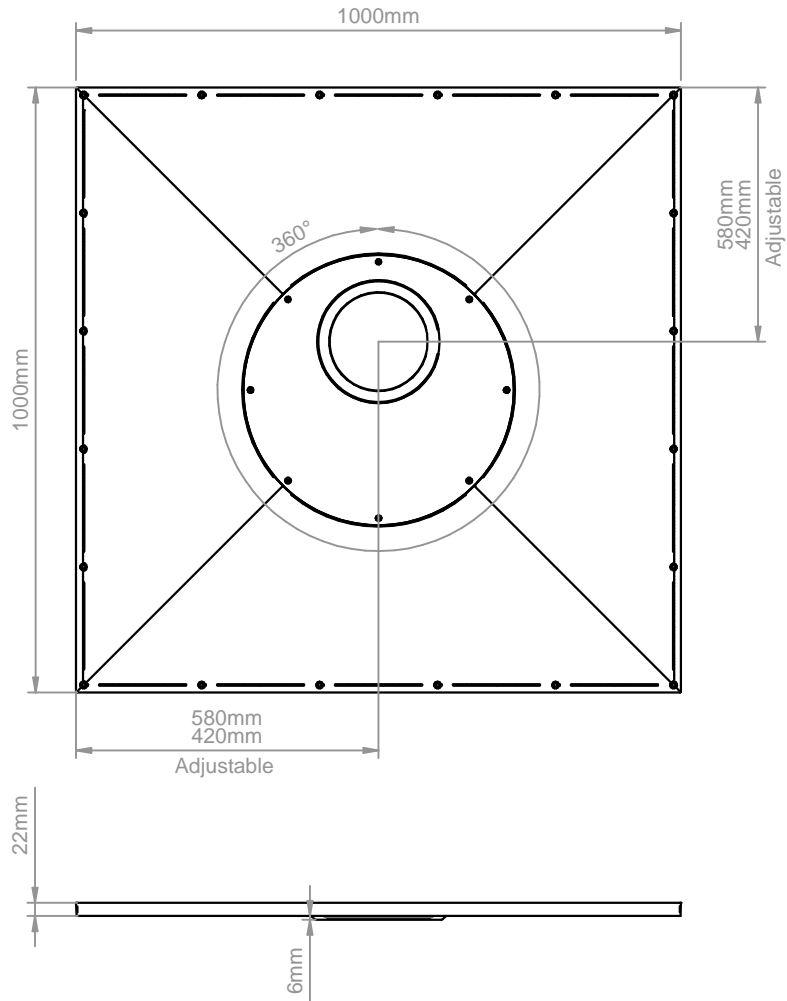


Do not cut into central solid oval section

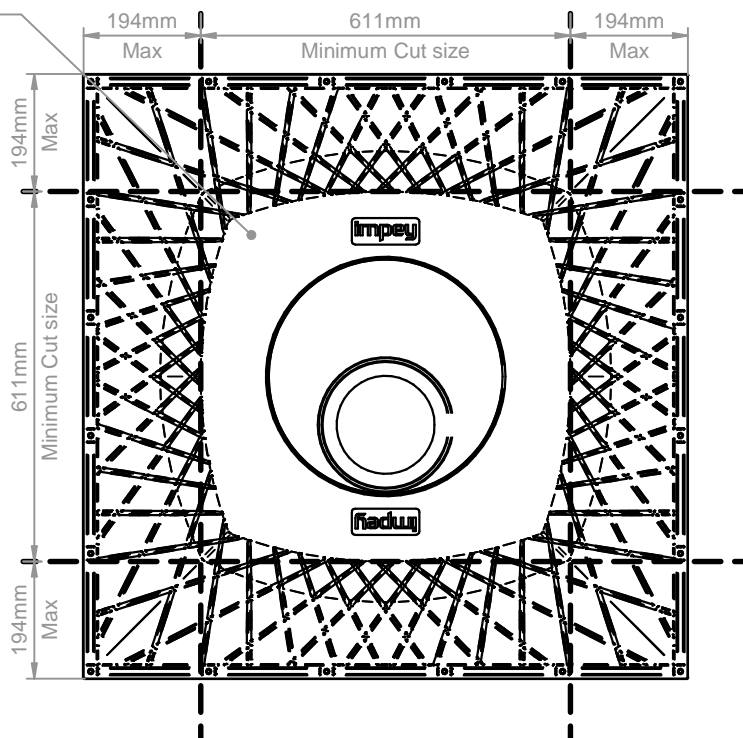


16.3 kg

Aqua-Dec Easy Fit - ADE 1010

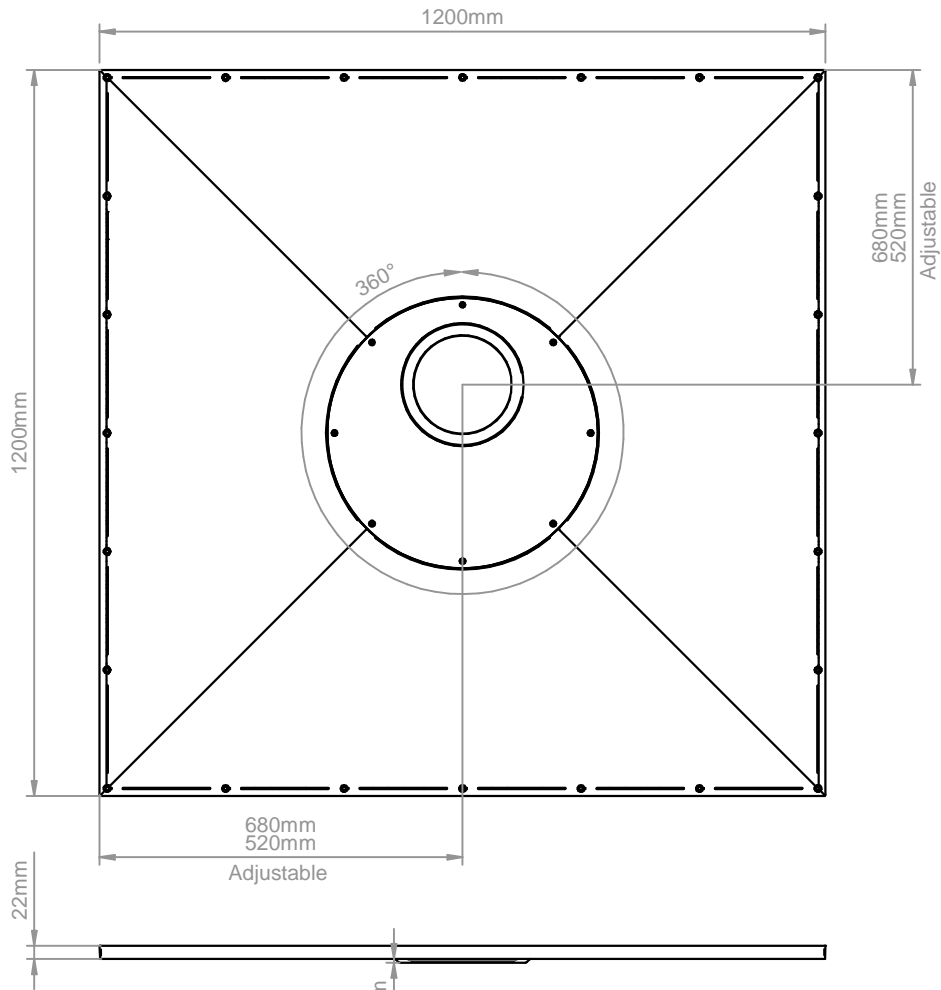


Do not cut into central solid oval section

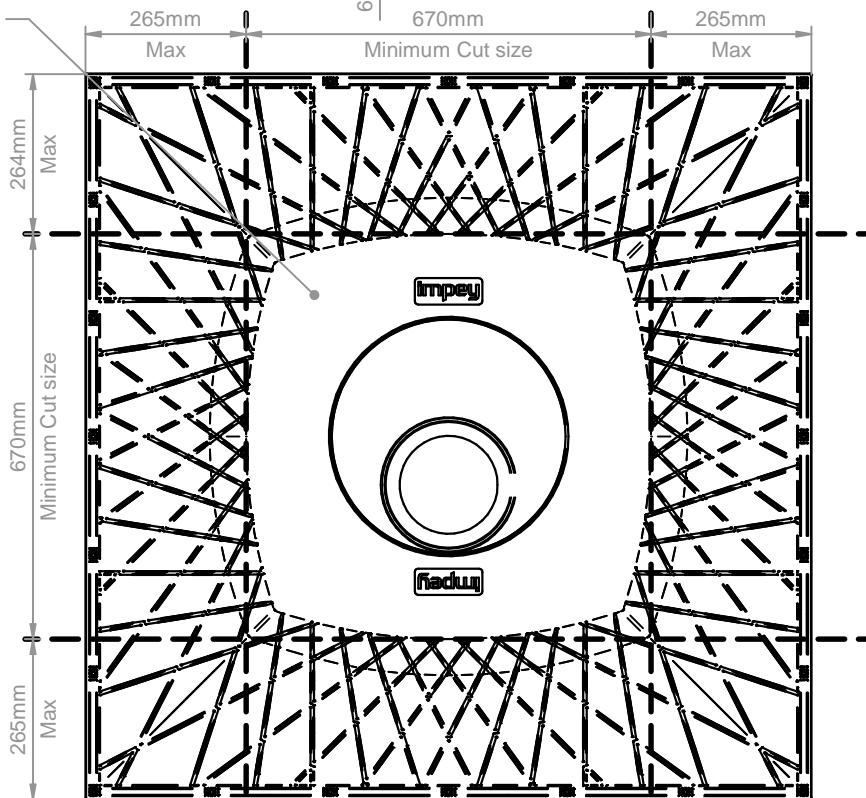


20.3 kg

Aqua-Dec Easy Fit - ADE 1212

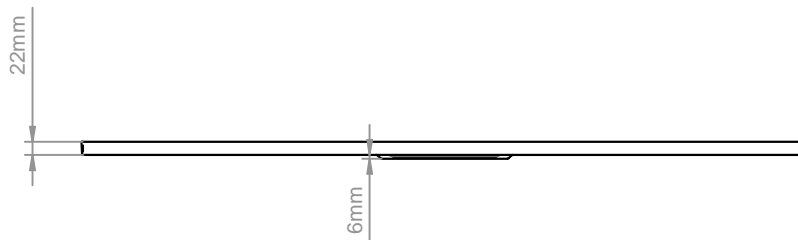
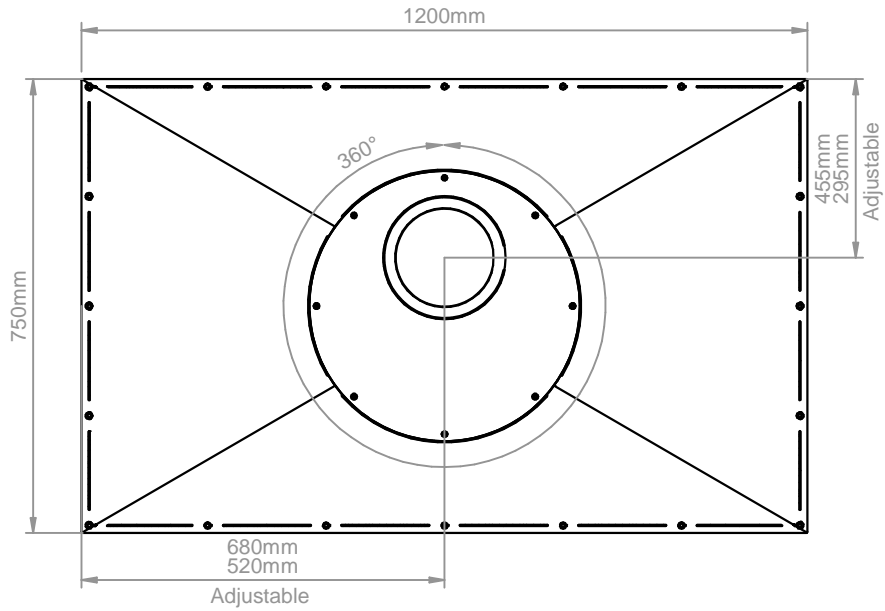


Do not cut into central solid oval section

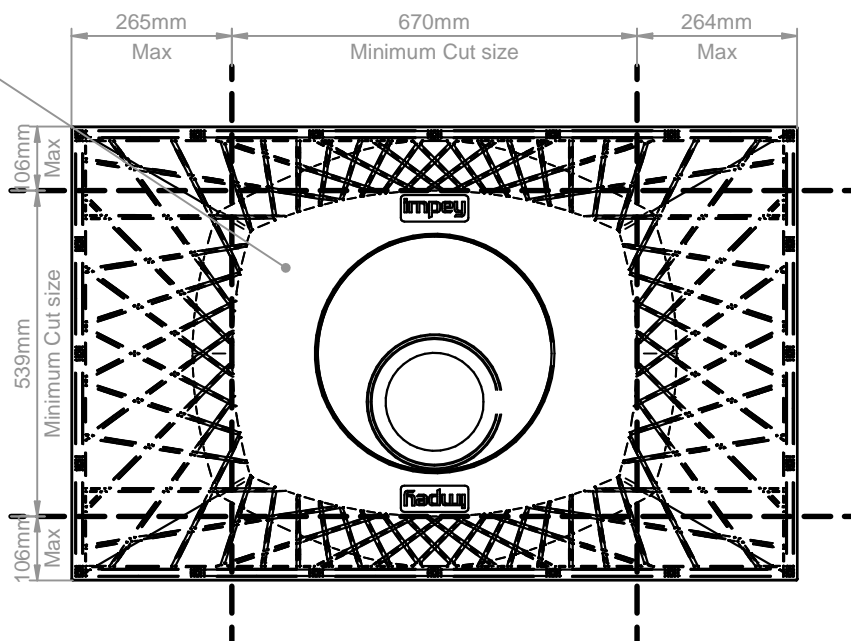


28.6 kg

Aqua-Dec Easy Fit - ADE 1275

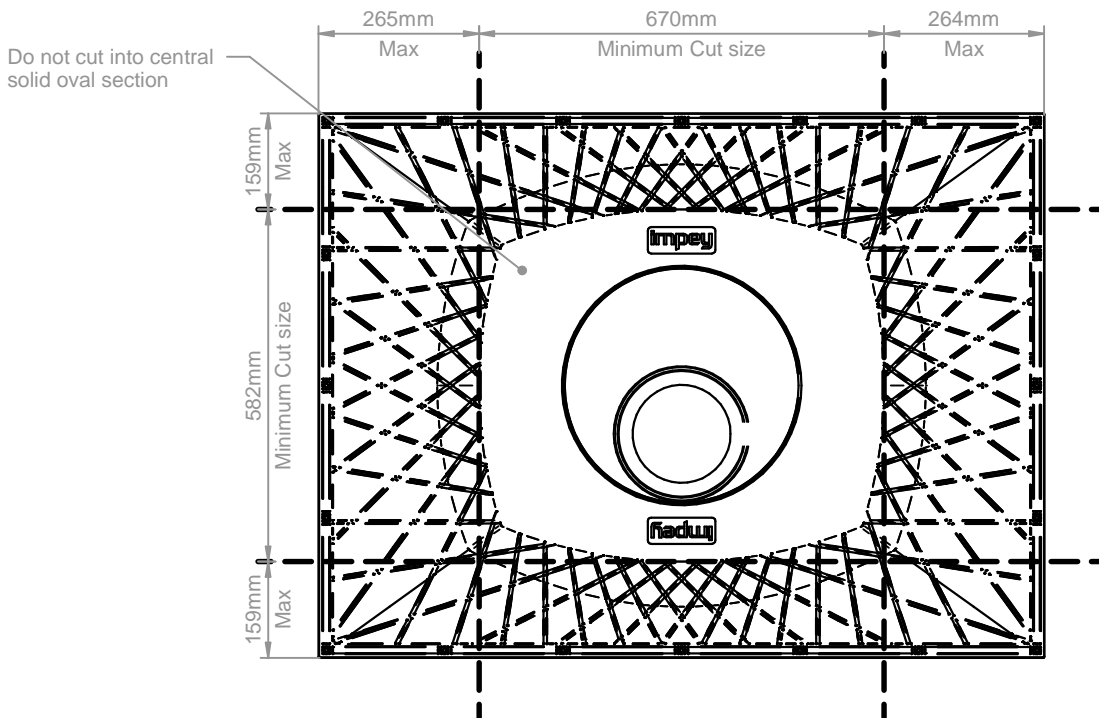
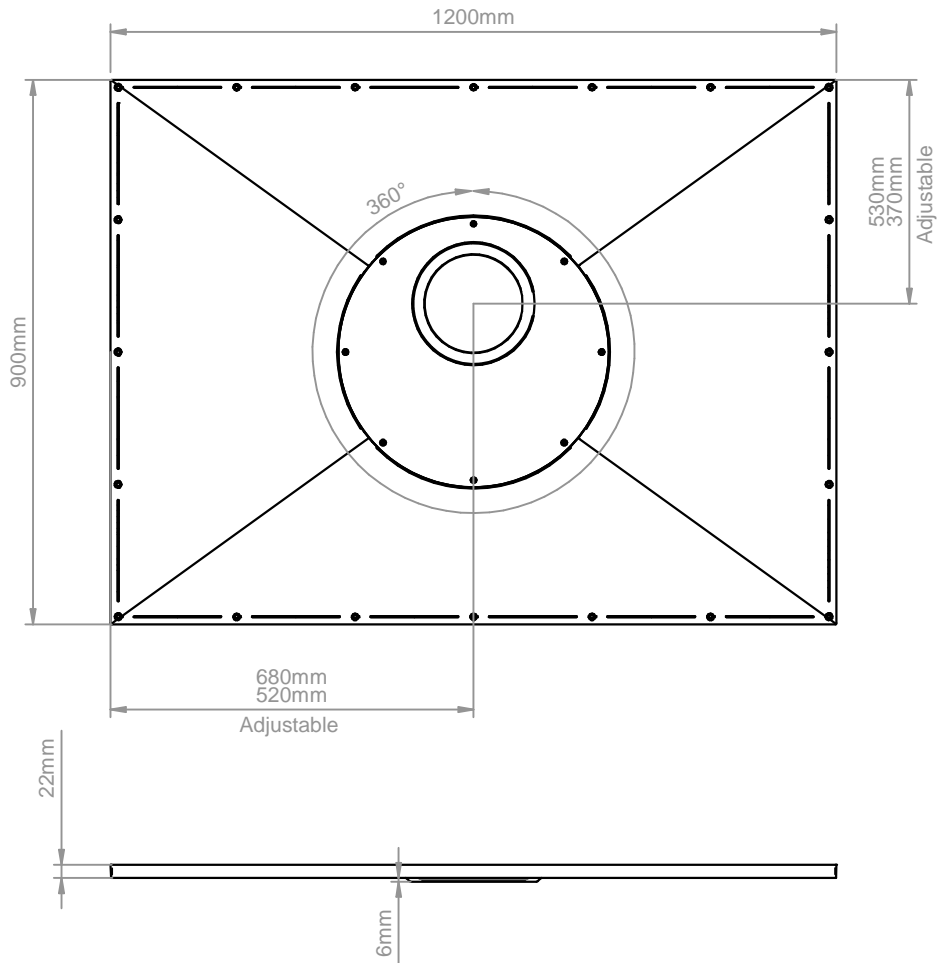


Do not cut into central solid oval section



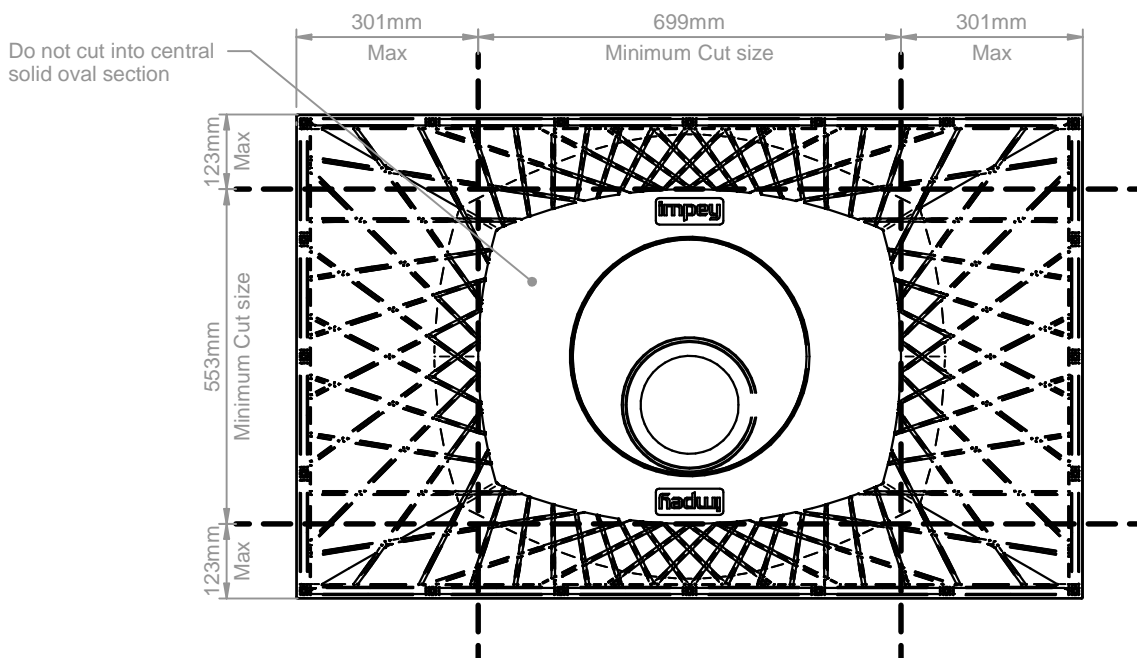
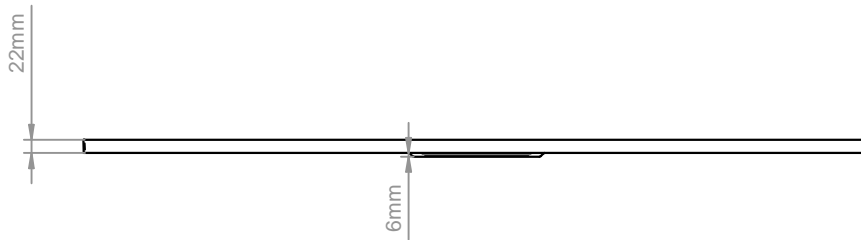
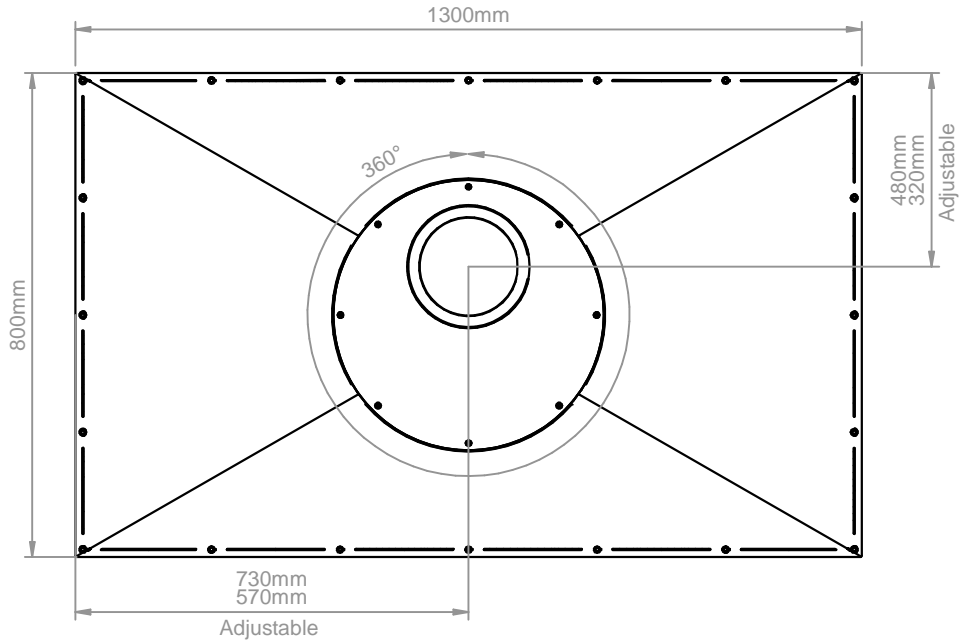
17.7 kg

Aqua-Dec Easy Fit - ADE 1290



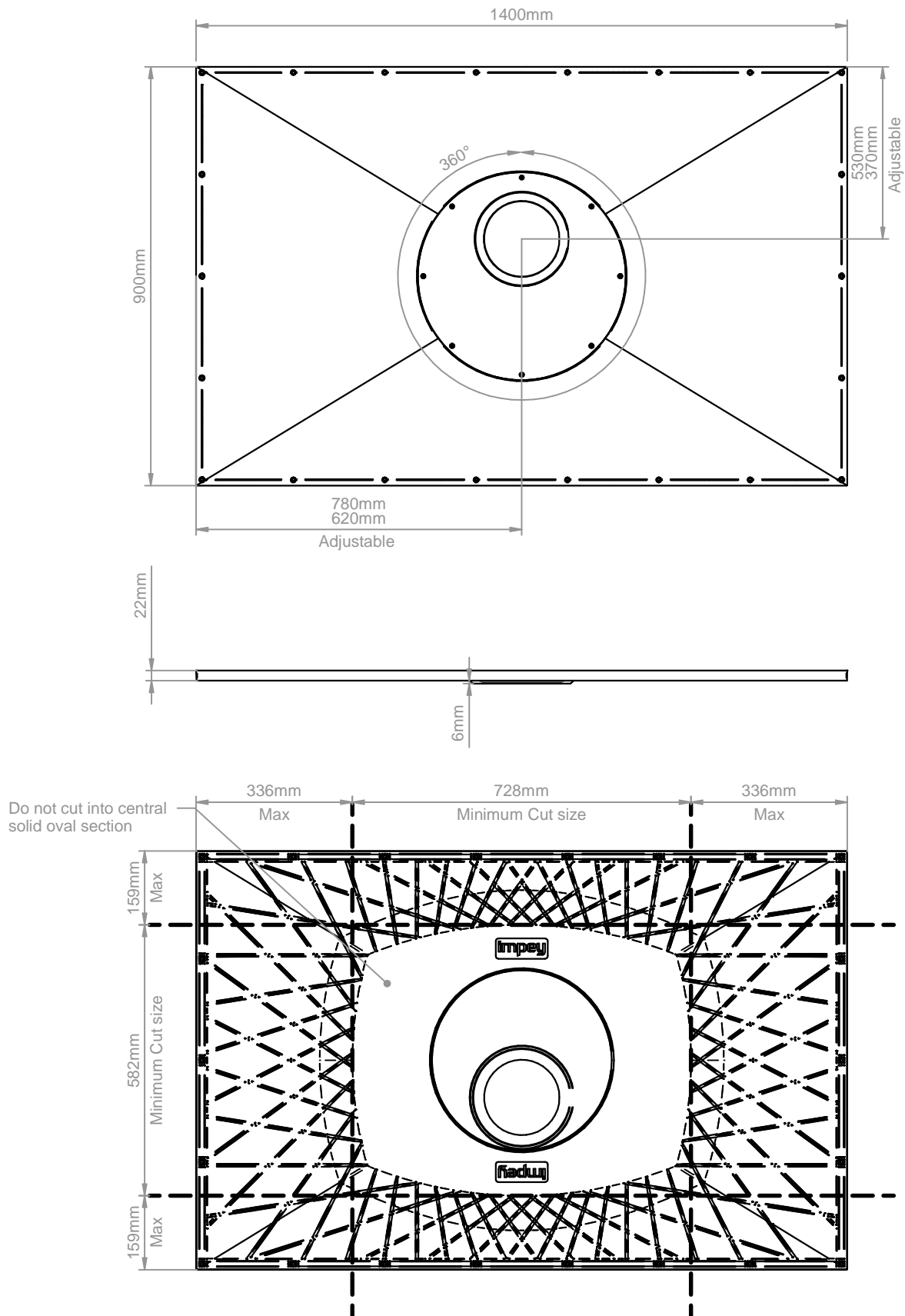
21.5 kg

Aqua-Dec Easy Fit - ADE 1380



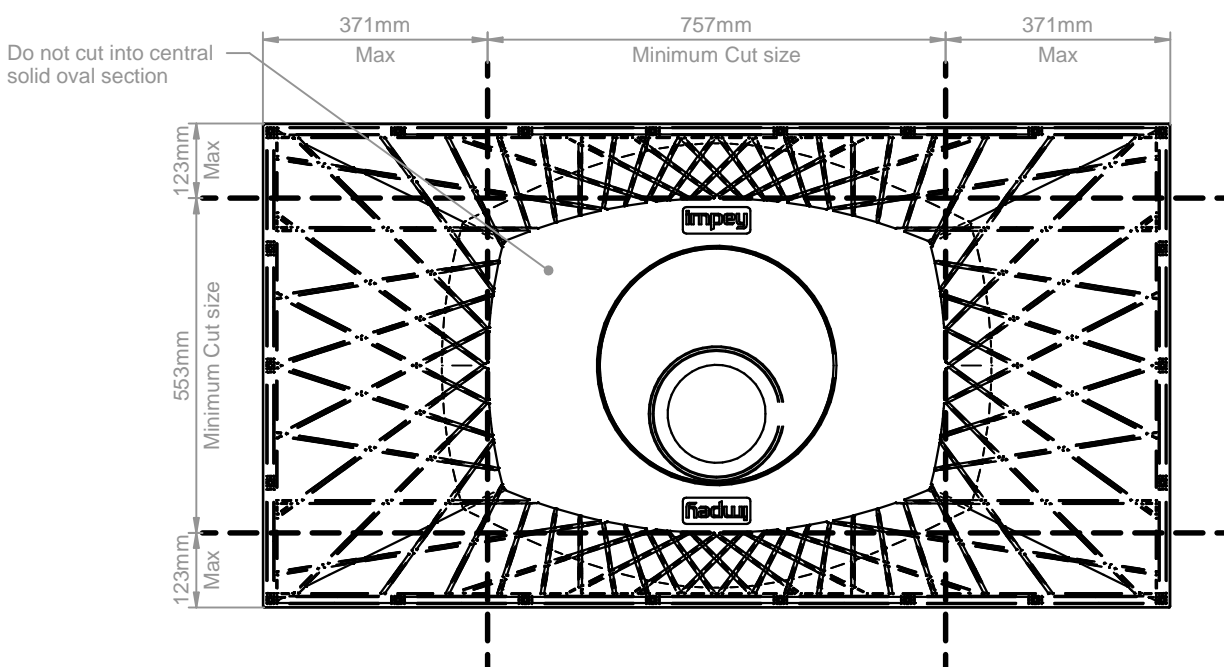
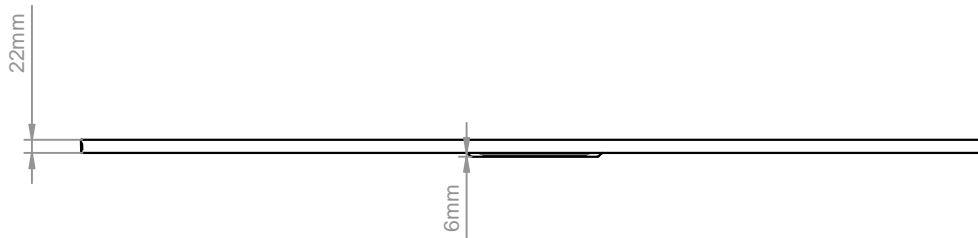
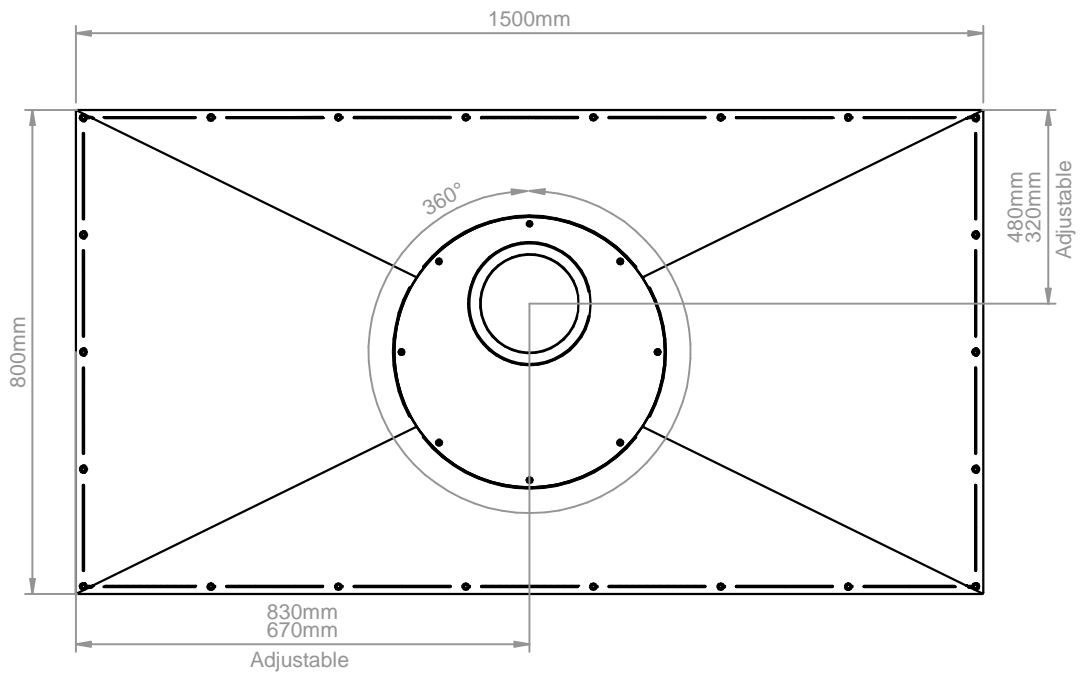
20.7 kg

Aqua-Dec Easy Fit - ADE 1490



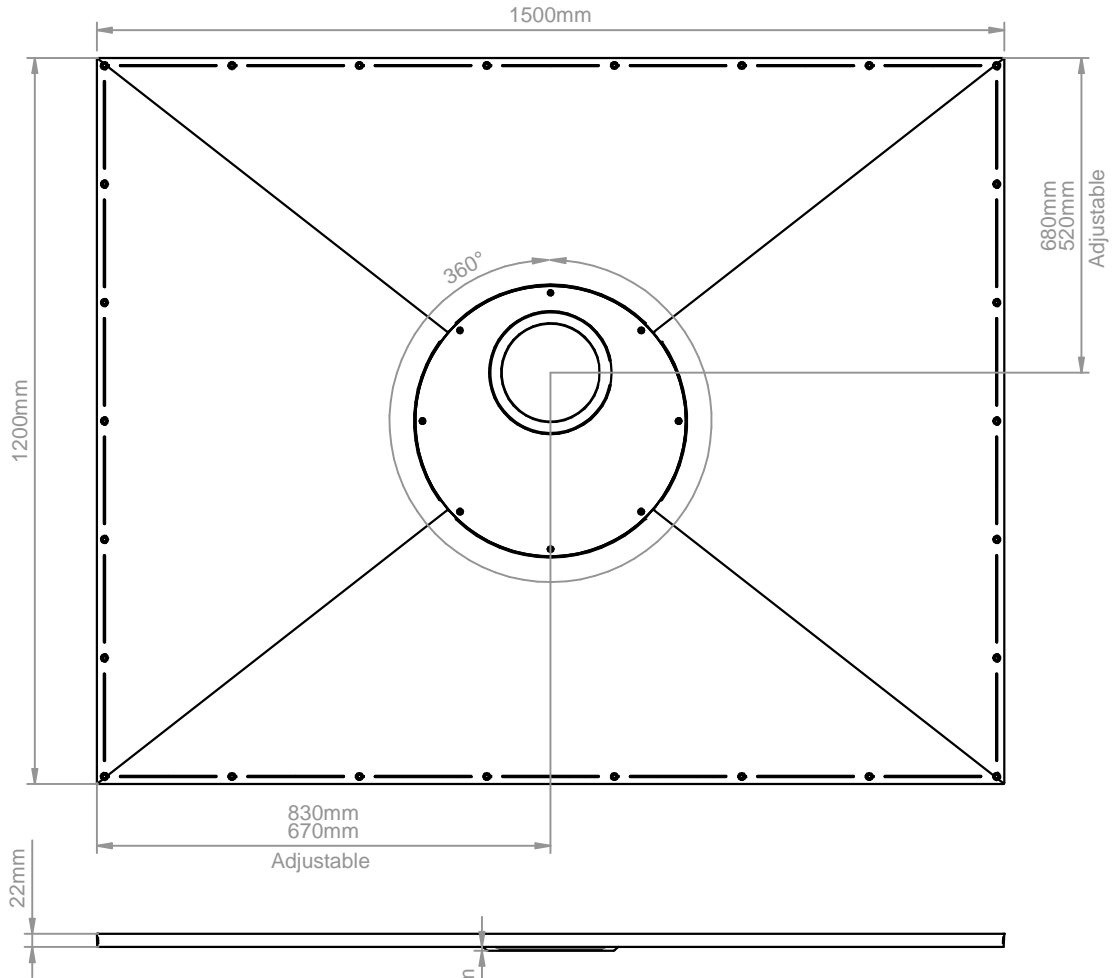
25.1 kg

Aqua-Dec Easy Fit - ADE 1580

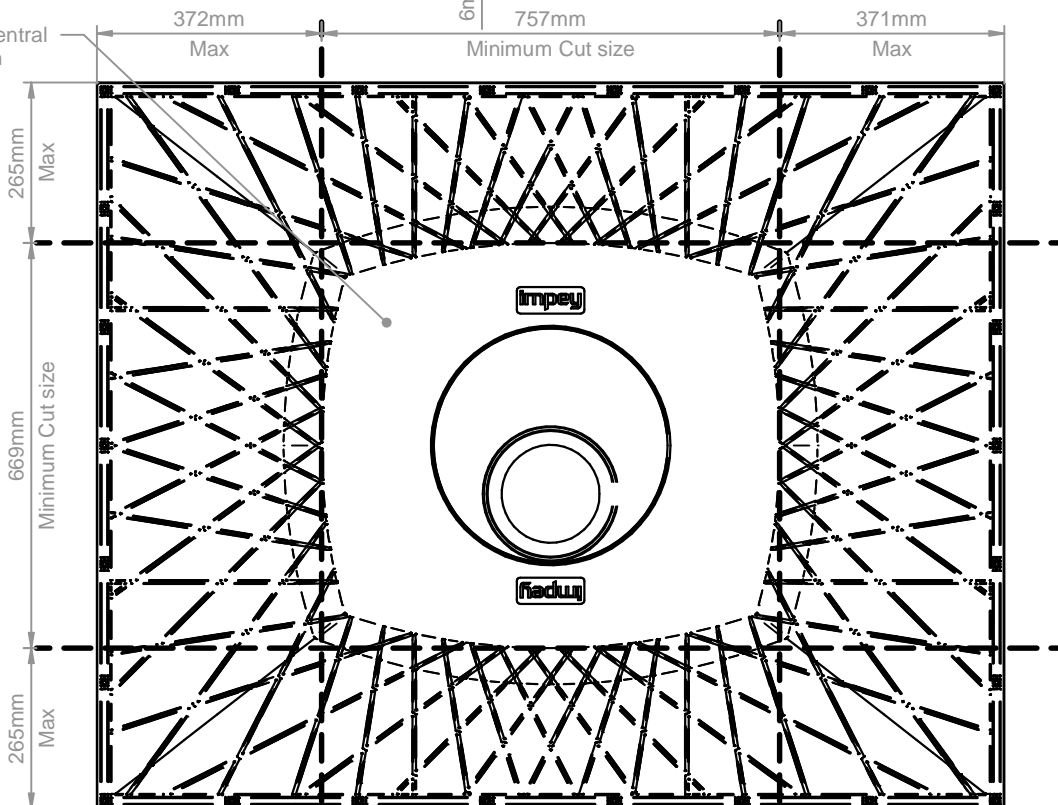


23.9 kg

Aqua-Dec Easy Fit - ADE 1512

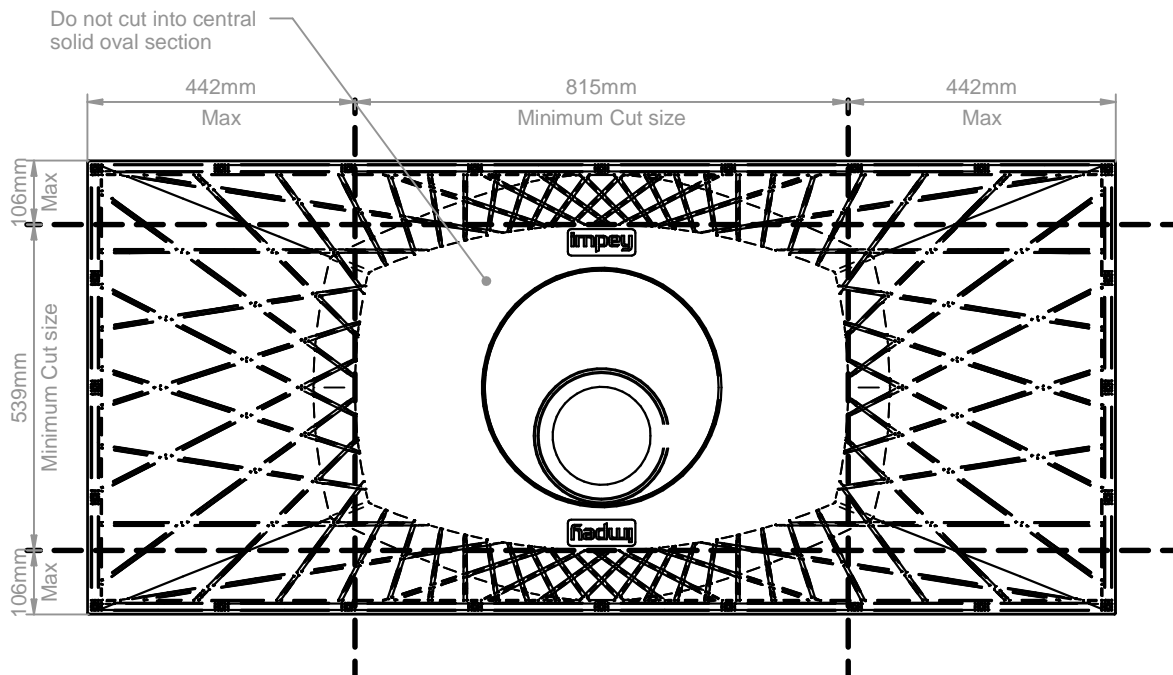
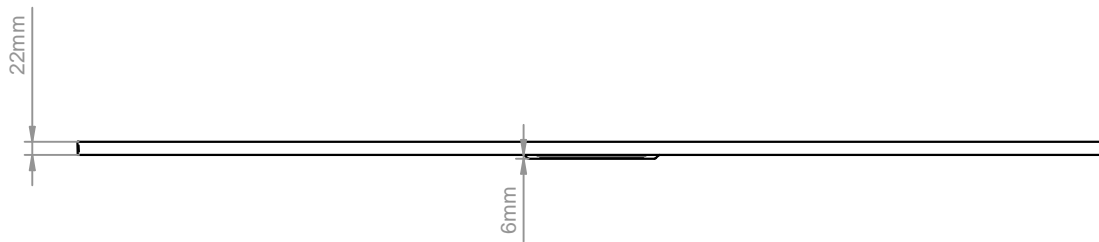
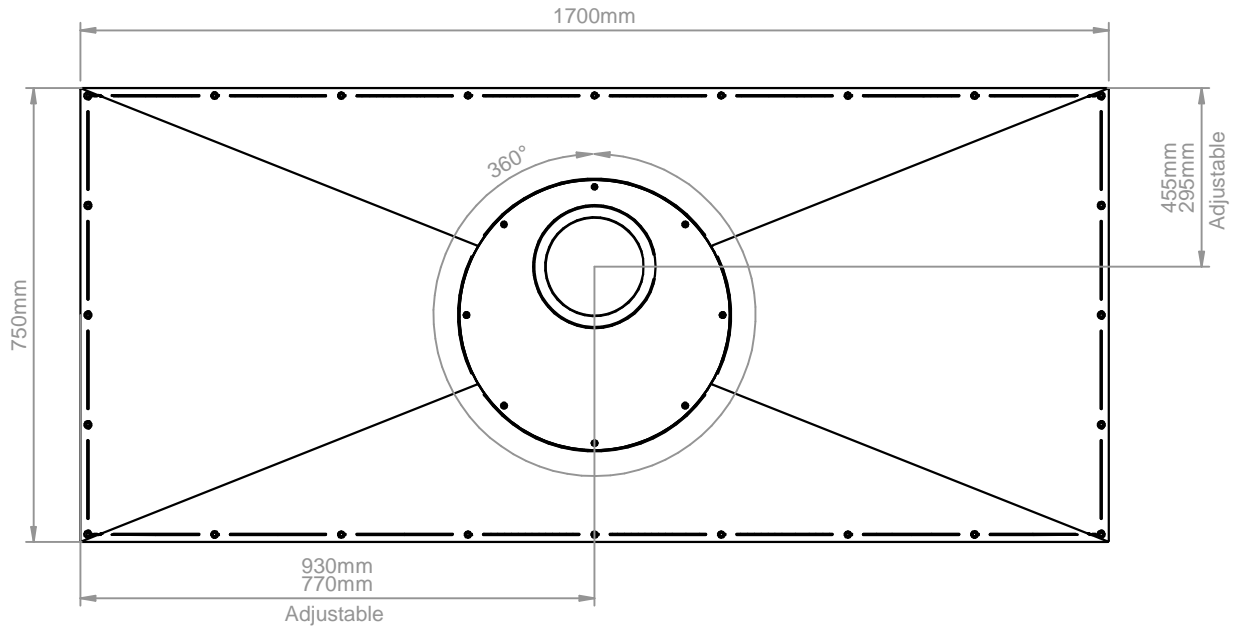


Do not cut into central solid oval section



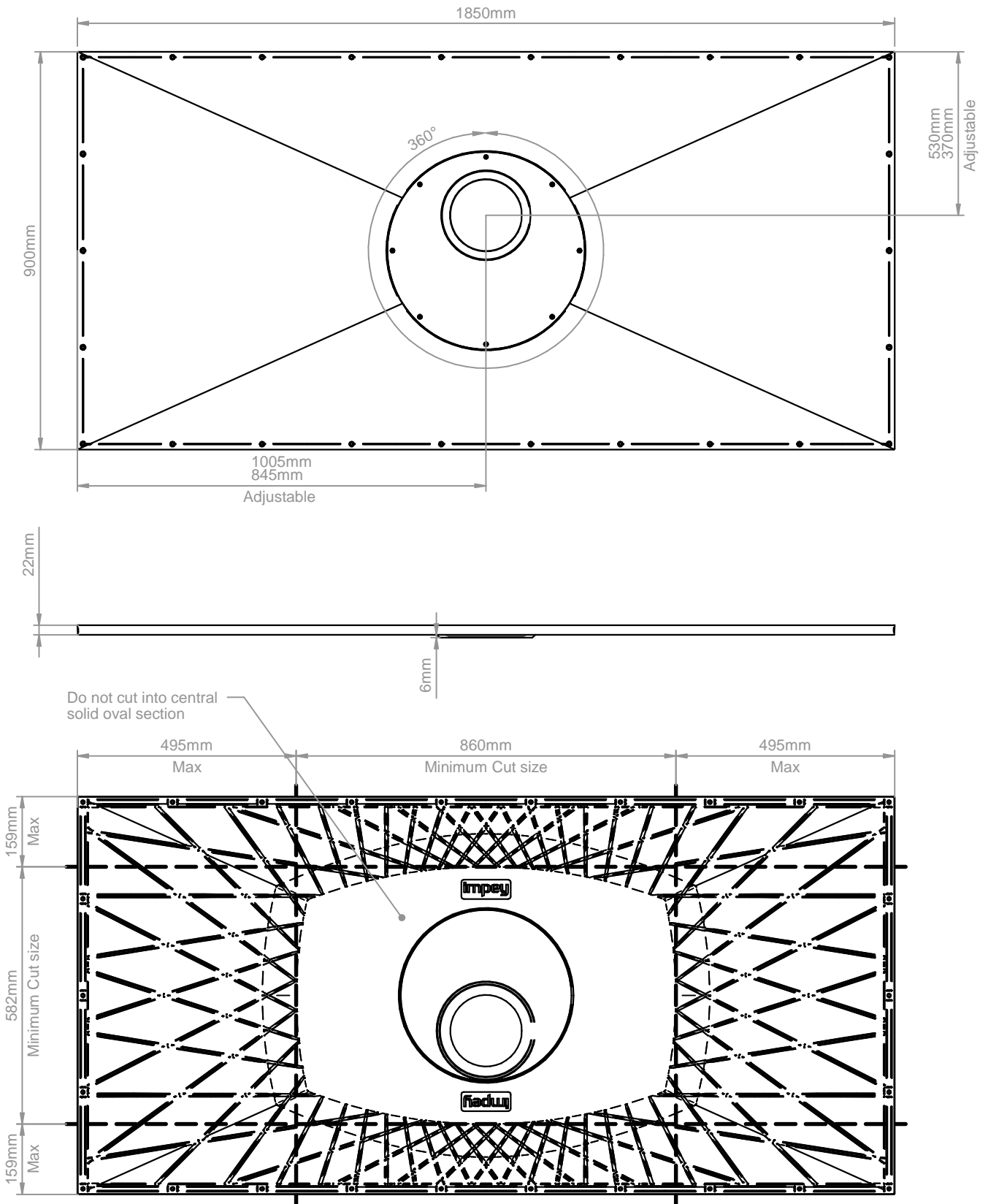
34.0 kg

Aqua-Dec Easy Fit - ADE 1775



24.1 kg

Aqua-Dec Easy Fit - ADE 18590



32.1 kg